



T 2500 K

SINGLE 3 ARMED FULLHEIGHT TURNSTILE

www.makim.com.tr

- High Security
- Suitable for Intensive Passages
- Longlived
- Robust Mechanism
- Reliable
- Anti-Vandal
- Indoor & Outdoor Conditions
- Spare Parts Support

MAKIM[®]
Reliable Solution Partner

T 2500 K

SINGLE 3 ARMED FULLHEIGHT TURNSTILE

T 2500 K Single fullheight turnstile is designed to provide higher level of security for locations requiring strict access control. Since it is produced in dimensions and design that will completely prevent the banned accesses, can even be used comfortably without security staff on the site.

Application

T 2500 K Single can be installed in the entrance of construction sites, factories, stadiums, ministries, prisons, campuses, sports fields and any locations outdoor or indoors.

Basic Materials

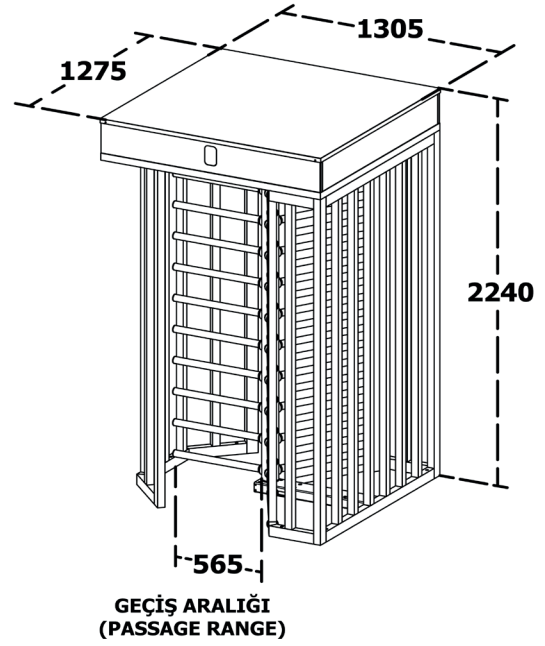
T 2500 K Single height turnstile is produced as 304 stainless steel standard or electrostatic painted in various colors. As an option, 316 stainless steel can be used, or rotating part can be manufactured in stainless steel and the outer case can be power coated. The inner main mechanism of T 2500 K Single is produced with special investment casting technology, which makes the whole system a lot more robust and lasting. The electronic boards are designed by the qualified engineers of Makim, enabling T 2500 K Single work in various modes and integrations.

General Usage

T 2500 K Single is manufactured in single – double versions, double units save more space when 2 or more T 2500 K Single are needed. Transition interval can be provided with 3 or 4 arms (120 ° or 90 ° intervals) upon request. T 2500 K Single electromechanic turnstile operates bi Directionally. All kind of access control system like card reader, biometric reader, remote control unit or push button can be integrated to T 2500 K Single via simple dry-contact. Once the access right is granted, user should touch slightly to T 2500 K Single arm in order to make it rotate. After the arms complete one turn, T 2500 K Single is automatically locked. If the user does not use the passage right in 15 seconds, T 2500 K Single will give buzzer warning and it will be locked. Status indicator LED lights are located on both sides of T 2500 K Single, in green arrow and red cross shape to show allowed passage directions. More than 30 passes can be made from the turnstile in 1 minute.

Safety

In case of power cut, T 2500 K Single is unlocked to allow free rotation of the arms in both sides enabling easy evacuation of the area and preventing getting stuck inside the gate. Alternatively, in case of using the battery, the turnstile will continue operating in the standard set mode when the power is cut off.



Control /Operation Voltage	100-230 VAC 50/60 Hz
Power Consumption	30 W
Operation Temperature	- 20° C - + 70° C With Optional Heater - 30° C
Passage Speed	30 P / Min.
Passage Range	Max. 565 mm
Weight	Ask your representative
Usage Arega	Indoor / Outdoor
Optional Accessories	Remote control, button unit, card reader, biometric reader, counter.
Body Options	Stainless Steel / Powder Coated
Protection	IP65
Security Level	●●●●●